

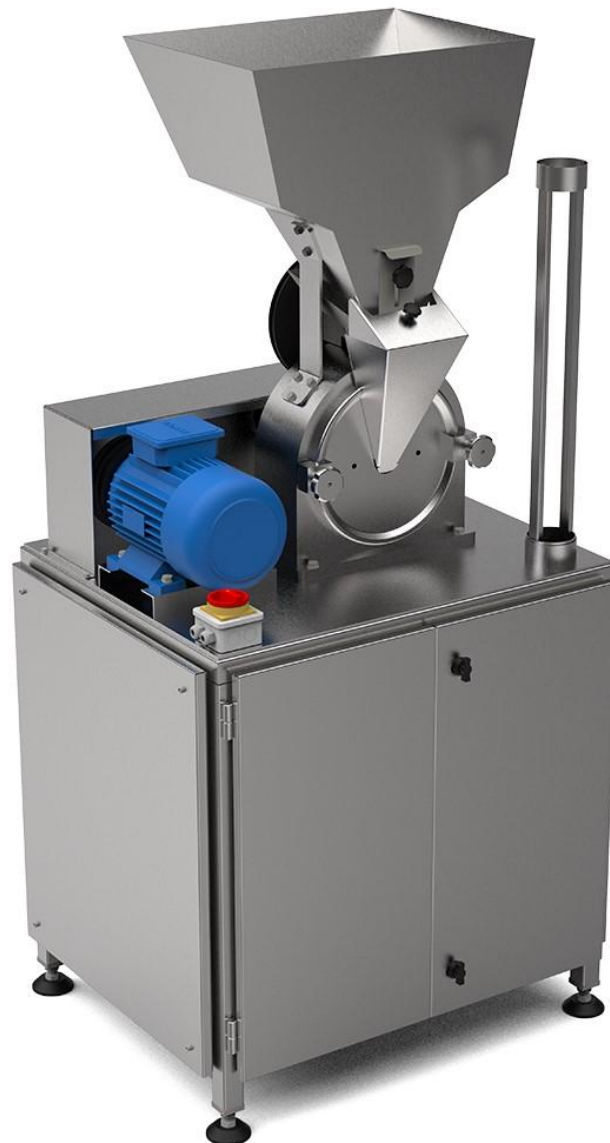
ADDAMS PIN MILL

ADDAMS is a leading manufacturer of Seed and Grain food processing equipment.

ADDAMS Pin mill PM-200 functions as a fine grinding mill as a piece of Pulverizing equipment applicable in the food, pharmaceutical, mineral, and chemical processing industries.

Food processing applicable products are spices, grains, and crystal materials.

The most common applications are for protein fractionation, mustard seeds, cumin seeds, coriander seeds, black pepper, clove, nutmeg, sugar, salt, ceramics, and gypsum.



Able to produce a wide range of particle sizes.

When used for fine grinding, the PM-200 Pin mill employs fine screens for particle sizes ranging from 0.3 to 1.5 mm. Material bulk density must be 0.2 to 0.8 kg/dm³, and the moisture up to 15%.

When used for coarse grinding, the PM-200 employs round-hole screens for particle sizes ranging from 1.5 to 8.0 mm. Material bulk density must be 0.2 to 0.8 kg/dm³, and the moisture up to 15%.

Save time with Fast and easy screen changes.

Easy access to the screens with Saat Technolage's door design.

No tools are required for no frame screen exchanging.

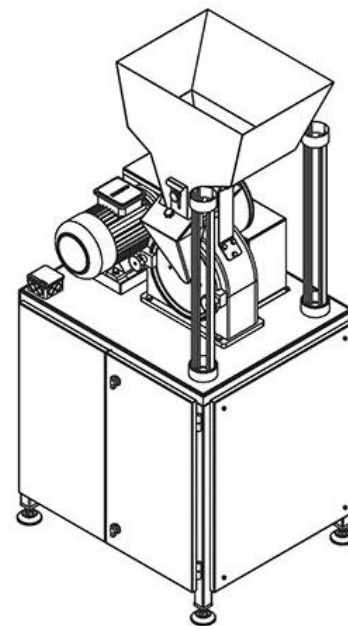
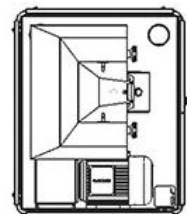
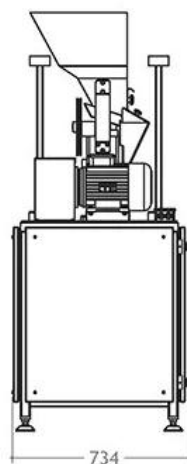
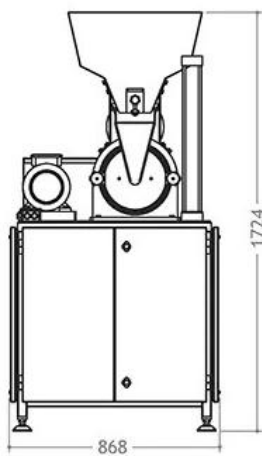
Fast and easy access to the Pin Chamber with shutter door locking mechanism.

Efficient and powerful size reduction achieved by Optimized design.

The PM-200 ensures maximum material contact for proper, efficient size reduction with optimal Pin design and Mesh/Screen placement, as well as optimum Pin Mill rotary speed.

Reducing energy consumption achieved by sophisticated Pin design, ensuring optimal discharge of crushed particles.

Top performance delivered with Powerful motor up to 15 kW



- Completely made of AISI304 grade stainless steel.
- Pin-type grinding rotor for a capacity of up to 100kg/h.
- Grinding pins made of 16MnCr5.
- Fine Dust filters on Board.
- Inlet Hopper with Flow Control Shutter.
- Security Grid and Magnet at the inlet Hopper
- High-capacity operation needs, optional water cooling for bearing.
- Magnet filter to hold foreign metal particles.
- Fine powder ~50-80 microns. Total power consumption 380V 5K