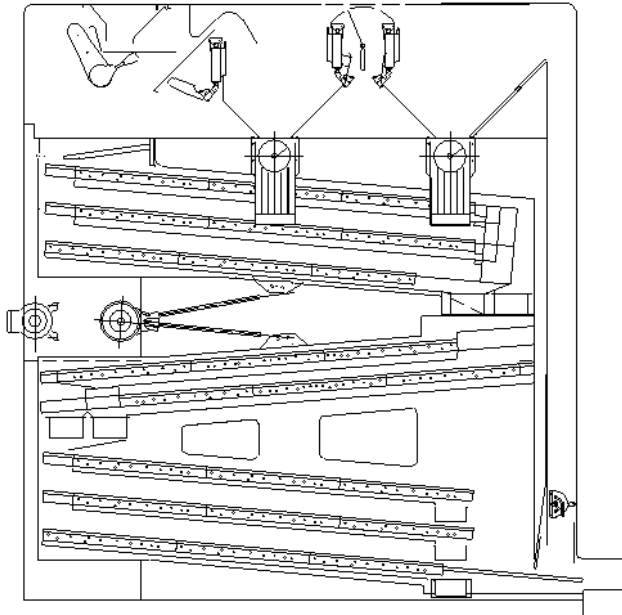


OPTIMUM 218 FINE SEED CLEANER

Designed for high-quality fine cleaning of seeds, malting barley, legumes, grains, and garden seeds.

The Optimum 218 Fine cleaner includes a **shaker feeder**, a **pre-suction** and **after-suction system**, **electronic control system**, **flexible screen flow**.



SEEDS	Bulk density t/m ³	Moisture content %	Capacity t/h
Barley	0.68	14	20
Clover	0.82	14	8
Coffee, green	0.65	14	20
Maize	0.71	14	12-18
Oats	0.51	14	14
Peas, common	0.7	14	18
Rapeseed	0.74	7-9	19-12
Rice, paddy	0.51	14	10
Rice, white	0.75	14	20
Rye	0.69	14	15
Ryegrass	0.3	14	3
Sorghum	0.64	14	20
Soybeans	0.72	14	18-20
Sunflower	0.4	7-9	6-10
Wheat	0.76	14	22

Note: Capacities may vary for different impurity and moisture Contents

SCREENS

Screen angle	5.0 Degrees
Screen area, total	24 m ²
Screen size	1 250×800 mm (24 pcs)

DIMENSIONS

Overall length	3 800 mm
Overall height	3 650 mm
Overall width	1 990 mm

WEIGHT

Weight, empty	4 300 kg
Weight, operating (wheat)	4 720 kg
Weight, choked (wheat)	9 800 kg

OPERATING SPEED

Shaker feeder (shaft)	140–700 rpm
Screens (shaft), fixed speed	280–285 rpm
Screens (shaft), variable speed	260–300 rpm

ELECTRICAL RATINGS

Motor, shaker feeder	0.75 kW
Motor, screens	3 kW
Control panel	110–230 V

AIR SUPPLY AND EXTRACTION

Aspiration volume	14 000 m ³ /h
-------------------	--------------------------

DYNAMIC LOADS

Horizontal load "Ph"	±3 661 N @ 4.6–4.8 Hz
Vertical load "Pv1" (inlet end)	±2 787 N @ 4.6–4.8 Hz
Vertical load "Pv2" (outlet end)	±2 689 N @ 4.6–4.8 Hz

Note: Dynamic loads are for normal operation.

NOISE

Sound pressure level, empty	81.6 dB(A)
Sound power level, empty	96.1 dB(A)

COMPLIANCE

EU machinery legislation	Yes
EU ATEX legislation	Option*
EU food contact legislation	Option*

* Consult your **Saat Technologie** dealer for full details.

ENVIRONMENTAL CONDITIONS

Environment	Indoors
Temperature	From -20°C to +40°C
Altitude	Up to 800 m

SURFACE PROTECTION

Frame and enclosure	Paint (corrosivity category C2; low durability)
---------------------	---

LIFETIME

Intended life limit	20 years
---------------------	----------

SINCE
2080