

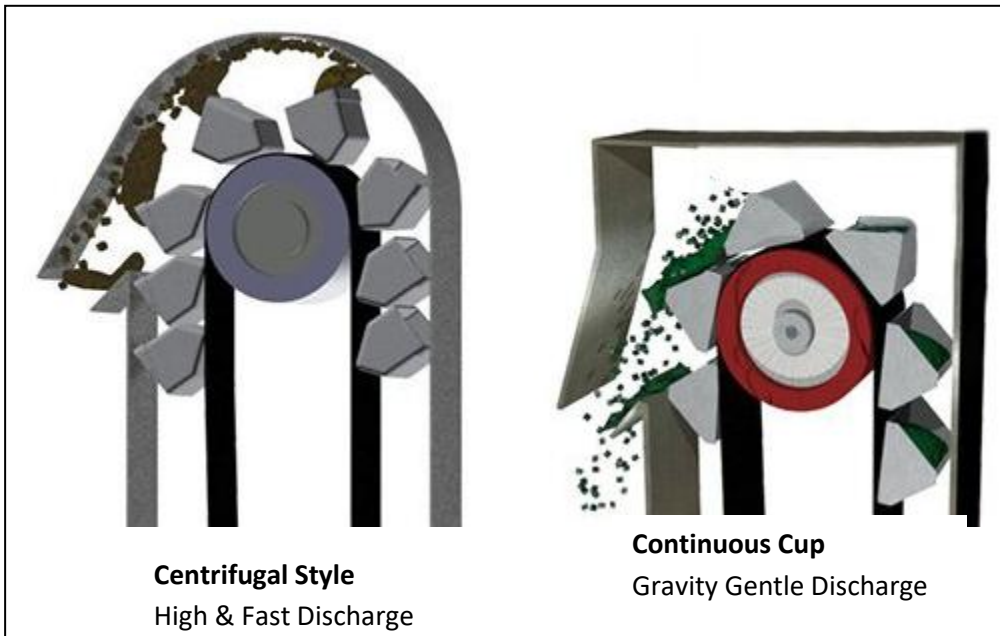
SINCE  
2080

## ADDAMS Continuous Cup Bucket Elevator

Brand **ADDAMS**  
 Designation Continuous Cup Bucket Elevator  
 Model CCBE Series  
 Application The Perfect Elevator for tight spaces and gentle conveying tasks.

Continuous bucket-feed elevators are designed to handle brittle and delicate materials to minimize product deterioration or damage. It is also ideal for handling heavy or abrasive materials. Continuous bucket feed elevators are also used to handle the light and fluid materials that must be prevented from letting air in.

The material is conveyed to the buckets using an inlet chute. Buckets are designed for soft unloading; the buckets are placed at short intervals on the belt or chain to allow the material to flow behind the previous bucket; the long edges close the duct to guide the material to the discharge nozzle. Since the direct loading of the material occurs at a slow speed in this type of elevator, it prevents the ejection movement of the centrifugal-type elevators and is ideal for precise use in brittle materials.



**Centrifugal Style**  
High & Fast Discharge

**Continuous Cup**  
Gravity Gentle Discharge

SINCE  
2080

SINCE  
2080

## FEATURES

- Backstop, built-in
- Solid boot pulley
- Slatted head pulley or solid head pulley with rubber lagging

## DRIVE SYSTEM

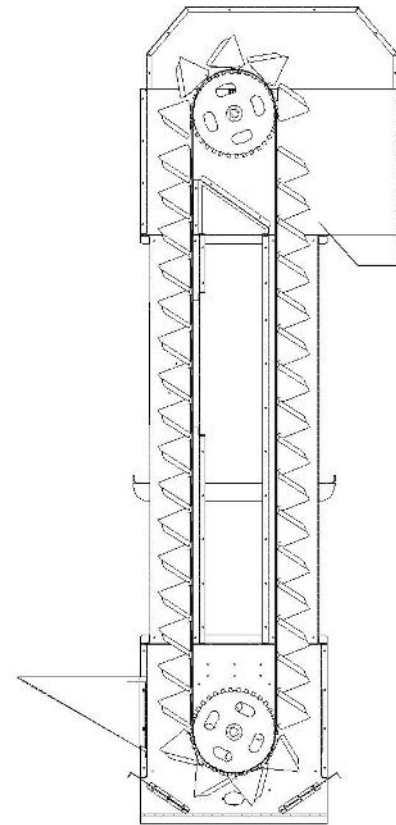
- Parallel shaft helical gearmotor, hollow shaft
- Helical level gearmotor, hollow shaft (optional)
- Gearmotor mounted on right- or left-hand side as specified

## CONTROLLERS

- Rotation sensing
- Bearing heat sensing (optional)
- Misalignment detectors (optional)

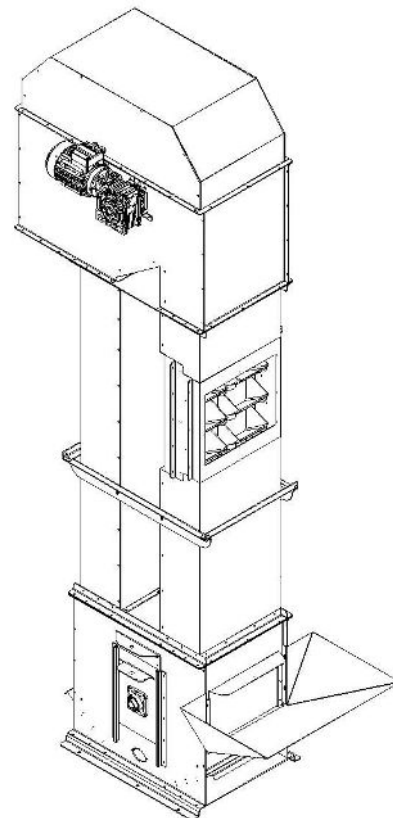
## ACCESSORIES

- Connection for flour intake
- Connection for negative pressure
- Cleaning system for boot
- Equipotential bonding of shafts (ATEX configuration)
- Explosion relief (ATEX configuration)
- Inlet module
- Outlet module
- Scraper for solid boot pulley



## Model Specifications

Model	Bucket Size mm	Cubic m <sup>3</sup> /h Capacity	Capacity tph @ 350m <sup>3</sup>	Capacity tph @ 800m <sup>3</sup>
CCBE-S125	125	2,5 m <sup>3</sup> /h	0.87 tph	2.0 tph
CCBE-D125	125x2	5 m <sup>3</sup> /h	1.75 tph	4.0 tph
CCBE-S150	150	3,75 m <sup>3</sup> /h	1.31 tph	3.0 tph
CCBE-D150	150x2	7.50 m <sup>3</sup> /h	2.65 tph	6.0 tph
CCBE-S180	180	6,25 m <sup>3</sup> /h	2,18 tph	5.0 tph
CCBE-D180	180x2	12,5 m <sup>3</sup> /h	4.37 tph	10.0 tph
CCBE-S200	200	8.75 m <sup>3</sup> /h	2.0 tph	7.0 tph
CCBE-D200	200x2	17,5 m <sup>3</sup> /h	6.12 tph	44.0 tph
CCBE-S250	250	12.5 m <sup>3</sup> /h	4.37 tph	10.0 tph
CCBE-D250	250x2	25 m <sup>3</sup> /h	8.75 tph	20.0 tph
CCBE-S300	300	15.62 m <sup>3</sup> /h	5.46 tph	12,50 tph
CCBE-D300	300x2	31.25 m <sup>3</sup> /h	10.93 tph	25.0 tph
CCBE-T300	300x3	46.87 m <sup>3</sup> /h	16.40 tph	37.5 tph



- Single Cup On a belt
- Double Cup on Belt for High Capacities
- Triple Cup on Belt for High Capacities