

SINCE
2080

BRUSH POLISHER

General

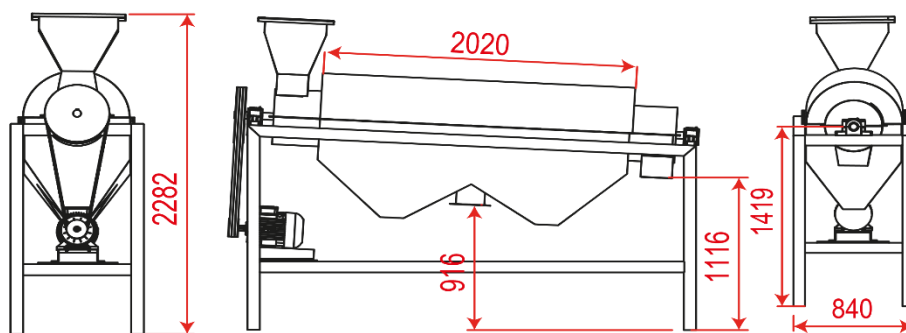
Brand ADDAMS
Designation Brush Polisher
Model BP-200
Application: Gentle Conveying and Polishing Seeds

Continuous Friction Polisher can provide a polished look on the seed lot. The process takes place in the drum body of the equipment; the Drum surface is a perforated screen and within the drum screw flights made of **Brush** soft material convey the seed from the entrance inlet to the exit outlet. During this conveying process seed friction takes place and fine dust leaves the surface of the seed through a perforated drum and exits from the bottom chute. At the entrance inlet Aspiration unit located on the machine removes the initial dust with suction.

Adding value to your commodity with a polished look increases the visual quality of the seed.



MODEL NO	BP-200
DRUM LENGTH mm	2020
DRUM DIAMETER mm	1 400
DRIVE MOTOR	0.75 kW
CAPACITY	
BEANS	3.5- 5.0 tph
WHEAT	3.5- 5.0 tph



SINCE
2080